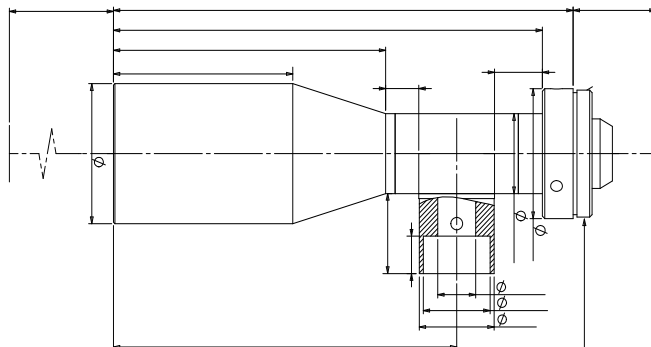


WWL06-65CT



WWL

•	/	(x)	0.6
•	Ø16mm	WD(mm)	65
•		CCD (mm)	6.0(1/3")
•		F/#	.
		NA	0.03746
		(um)	9.0
		(mm)	1.8

(mm x mm)

		1/4" (3.2x2.4)	5.3x4.0
(mm)	97.1	1/3" (4.8x3.6)	8.0x6.0

