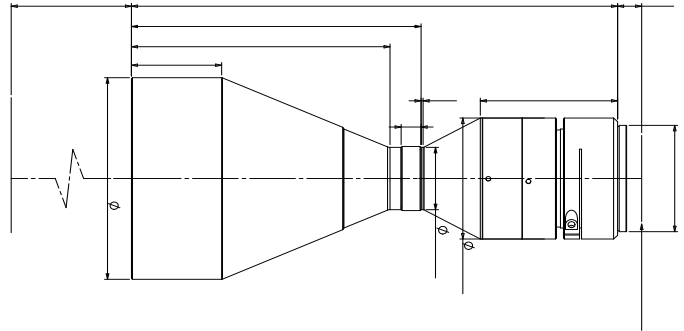


DTCM430-80H-AL



2 00
/ " /

() 80
() 0.300
() 228±4
() 24(4/3")
/# 7.5
0 (/) >120
() ±7.1@F16
(%) <0.1
() <0.1
/ () 483±4

- 0 - -
0



()

M42/M48/M58
() 242.5
() 2.4

/ " 21 (1 . 1 . 2) . .
/ " 12 (1 . 1 . 2) 1. .1
/ " 000 (1 . 1 .) 1. .