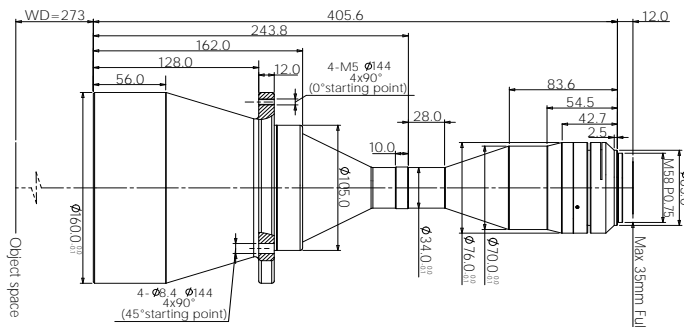


DTCM35FH-120H-M58-AL

()



DTCM

• DTCM	FOV(mm)	120
• FOV 26mm 300mm	(x)	0.363
• 4/3" ~ 59mm M/F	WD(mm)	273±5
•	CCD (mm)	43.6(35mm Full)
•	F/#	8.5
	MTF30 (lp/mm)	>105
	DoF(mm)	±4.9@F16
	(% max)	<0.1
	(° max)	<0.1
	I/O(mm)	691±5

DTCL-120H-xW-y

120mm



(mm x mm)

(mm)	M58	CMV50000 (36.43x27.62)	100.4x76.1
(kg)	405.6	KAI29050/2 (36.17x24.11)	99.6x66.4
	5.0	KAI43142 (36.18x24.12)	99.7x66.4

