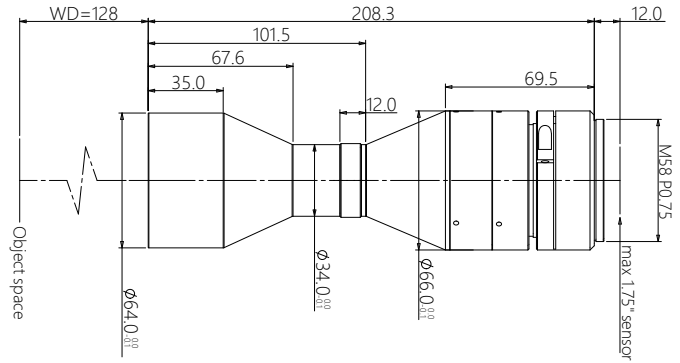


# DTCM175-48-AL



0.4 1.1  
2 - 1 3.7

48  
0.604  
128±3  
29(1.75")  
11.3  
>70  
±2.2@F20  
<0.1  
<0.1  
348±3

2.6



2.6

M42/M48/M58

208.3

1.0

/ 5.3 / 0. . . 0.0 3.1 / 4.7. 1.5 1.0 6.  
/ 5.3 / 4. / 6.21 / 6.21 1. . 3 1. . 3  
/ 5.3 2 0.6 6 47.7