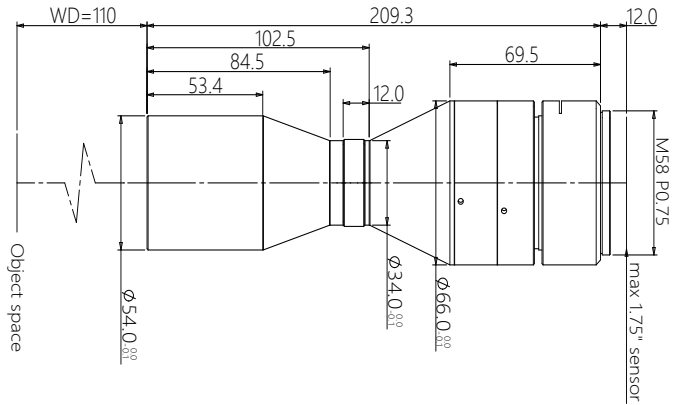


DTCM175-36-AL



26 300
4/3" 59 /

() 36
() 0.806
() 110±2
() 29(1.75")
/# 13.5
30 (/) >60
() ±1.2@F20
(%) <0.1
() <0.1
/ () 331±2

-36- -



36

()

()	M42/M48/M58	1.75"	12000 (22.53 16.90)	28.0 21.0
()	209.3	1.75"	16 (18.43 18.43)	22.9 22.9
()	1.0	1.75"	-4 (28.8)	35.7