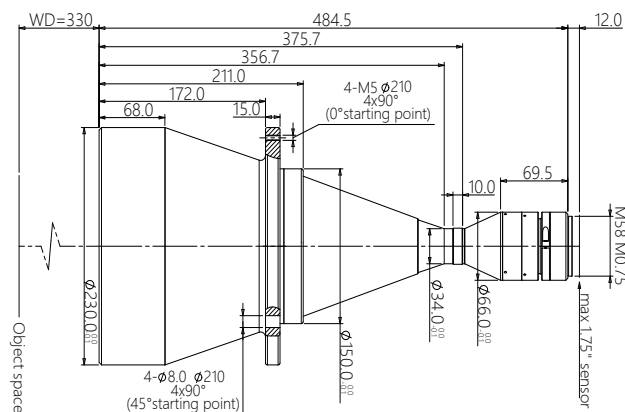


DTCM175-190H-AL



- DTCM
- FOV 26mm 300mm
- 4/3" ~ 59mm M/F
-
-

FOV(mm)	190
(x)	0.153
WD(mm)	330±5
CCD (mm)	29(1.75")
F/#	6.8
MTF30 (lp/mm)	>135
DoF(mm)	±27.3@F16
(% max)	<0.1
(° max)	<0.1
I/O(mm)	827±5

DTCL-190H-xW-y

190mm



(mm x mm)

	M42/M48/M58	1.75" CMV12000 (22.53x16.90)	147.3x110.5
(mm)	484.5	1.75" PYTHON16k (18.43x18.43)	120.5x120.5
(kg)	10.1	1.75" LineScan-4k (28.8mm)	188.2