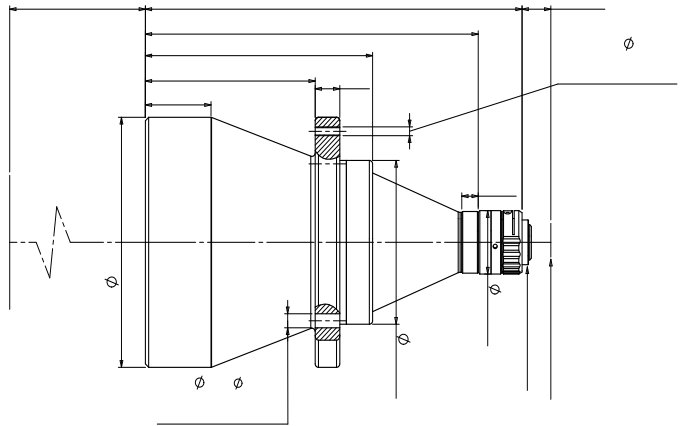


DTCM120-100-AL



D C

F 26 300
1/2.5" 1.1 C

F ()
()
D()
CCD ()
F/#
F30 (/)
D F()
(%)
()
/ ()

D C -100- -

100



()

()
()

1/2.5" 9 001/31 (5.7 4.28)

71.3 53.5

1/2.3" 9 003 (6.44 4.62)

80.5 57.8

