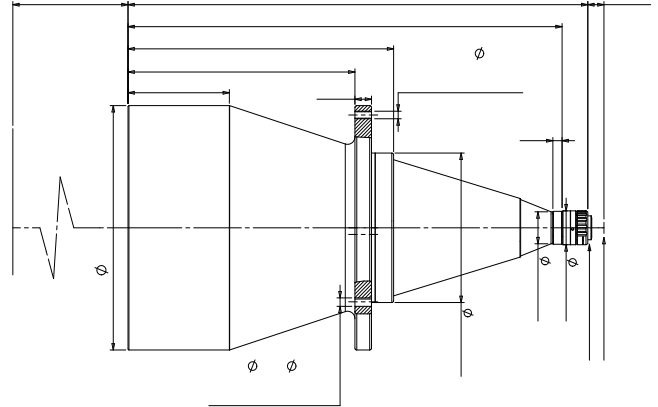


DTCM118-216-AL



216
0.042
372±5
9.0(1/1.8")
4.6
>200
±249@F11
<0.1
<0.1
889±5



C
499.1
13.7