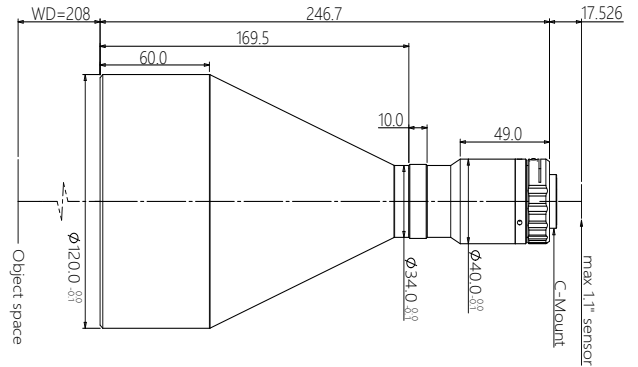


DTCM111-90-AL



-
- FOV 26mm 300mm
- 1/2.5" ~ 1.1" C
-

FOV(mm)	90
(x)	0.204
WD(mm)	208±3
CCD (mm)	18.4(1.1")
F/#	6.2
MTF30 (lp/mm)	>145
DoF(mm)	±10.5@F11
(% max)	<0.1
(° max)	<0.1
I/O(mm)	472±3

DTCL-90-xW-y

90mm



(mm x mm)

	C
(mm)	246.7
(kg)	1.8

1" IMX183 (13.13x8.76)	64.4x42.9
1.1" IMX253 (14.19x10.38)	69.6x50.9